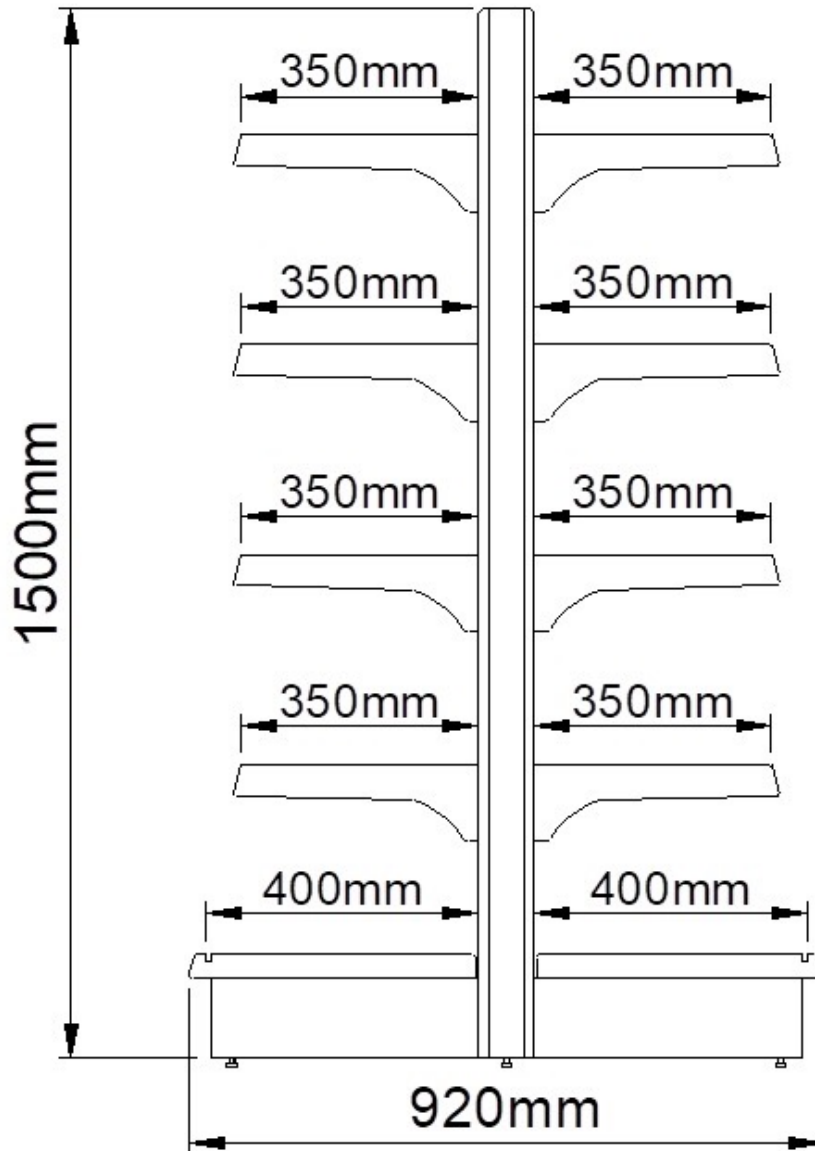


# Convenience Store Shelving

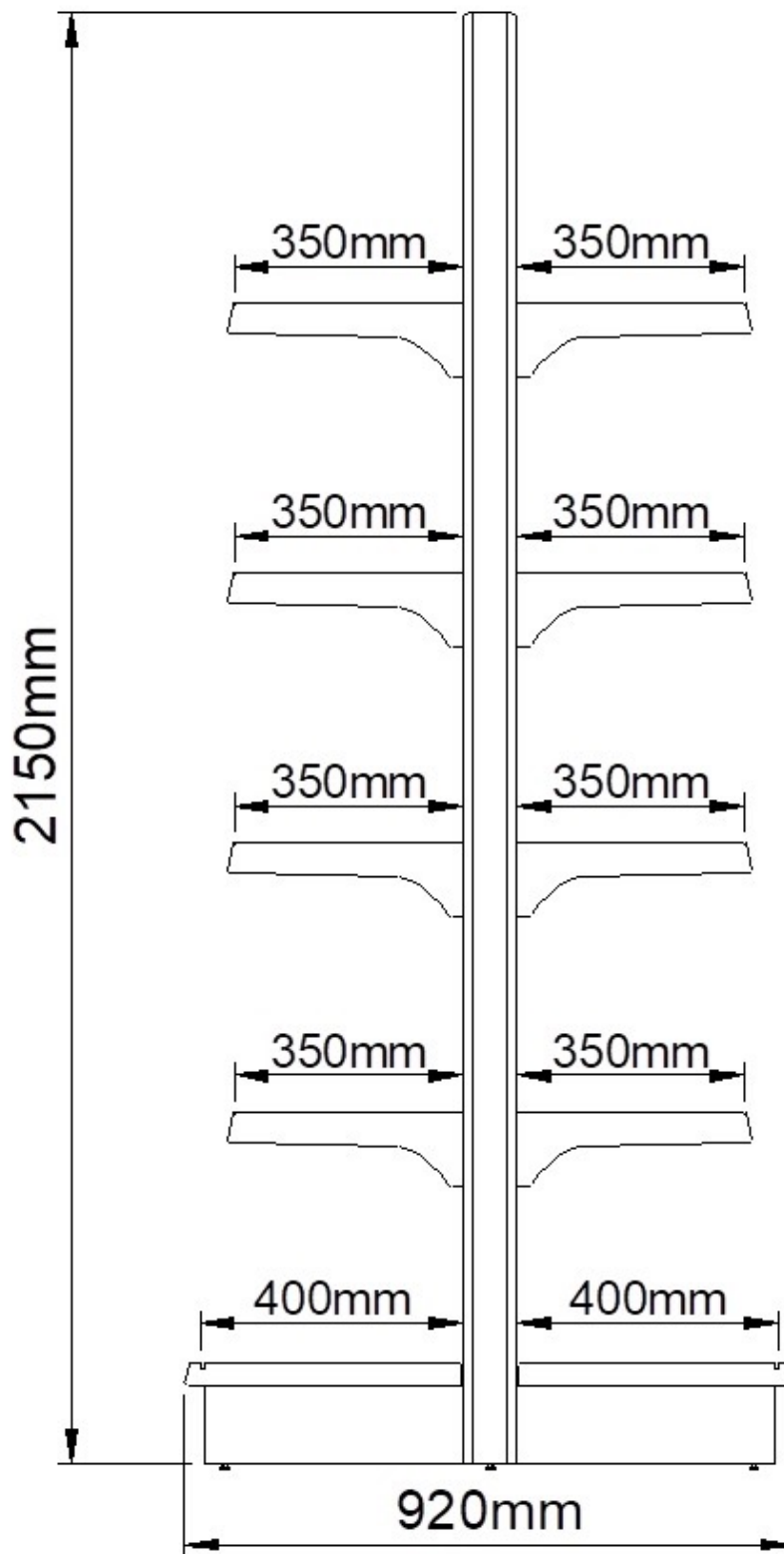
## Island Gondola (1500H)



**Austinco Enterprise (S) Pte Ltd** - Blk 20, Ang Mo Kio Industrial Park 2A, #05-30, AMK Techlink, Singapore 567761. Tel: +65 6284 8646. Fax: +65 6280 7343.

# Convenience Store Shelving

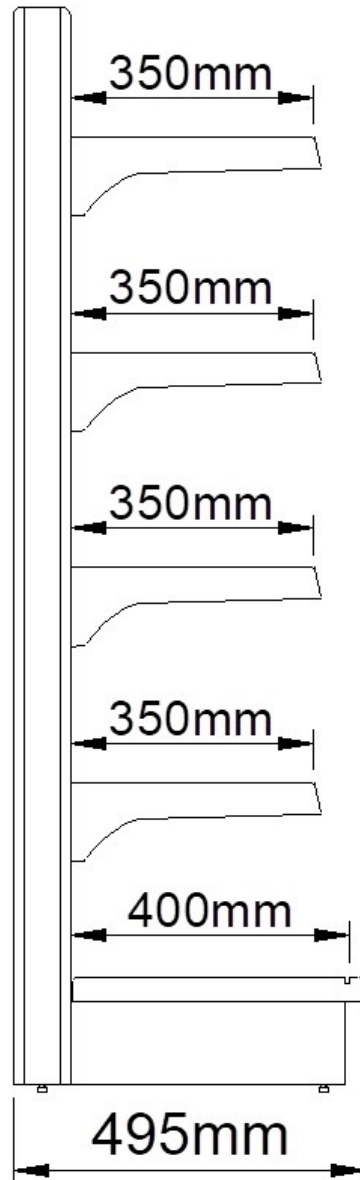
## Island Gondola (2150H)



**Austinco Enterprise (S) Pte Ltd** - Blk 20, Ang Mo Kio Industrial Park 2A, #05-30, AMK Techlink, Singapore 567761. Tel: +65 6284 8646. Fax: +65 6280 7343.

# Convenience Store Shelving

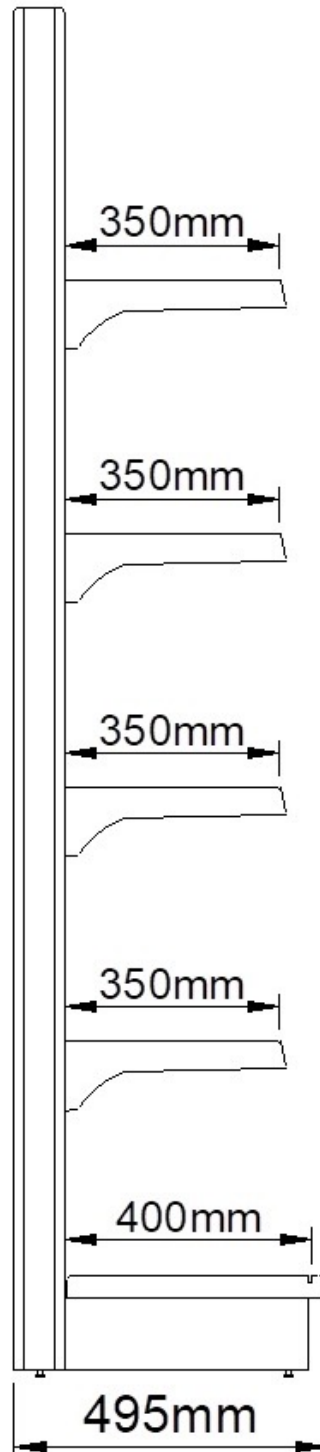
## Wall End Gondola (1500H)



**Austinco Enterprise (S) Pte Ltd** - Blk 20, Ang Mo Kio Industrial Park 2A, #05-30, AMK Techlink, Singapore 567761. Tel: +65 6284 8646. Fax: +65 6280 7343.

# Convenience Store Shelving

## Wall End Gondola (2150H)



**Austinco Enterprise (S) Pte Ltd** - Blk 20, Ang Mo Kio Industrial Park 2A, #05-30, AMK Techlink, Singapore 567761. Tel: +65 6284 8646. Fax: +65 6280 7343.